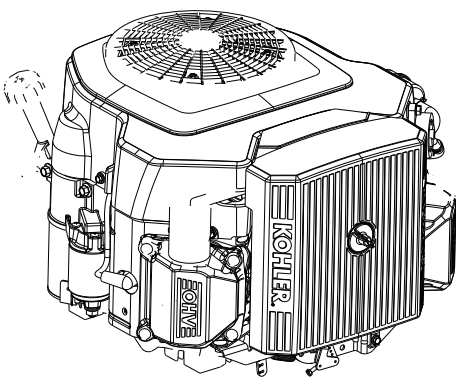
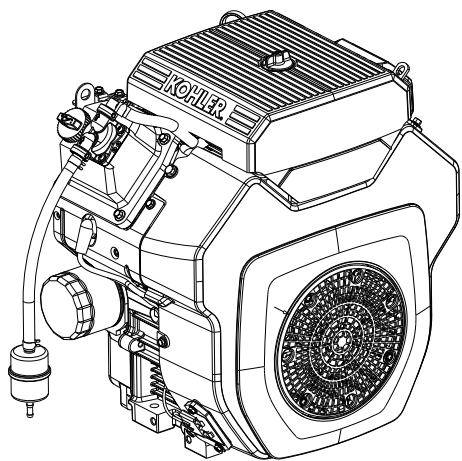
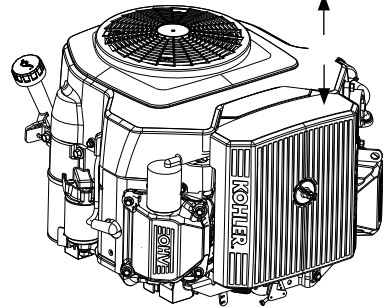
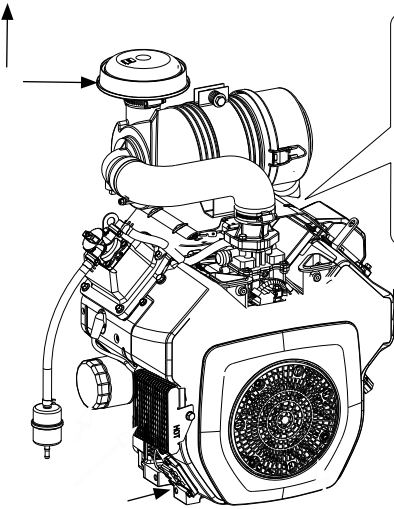
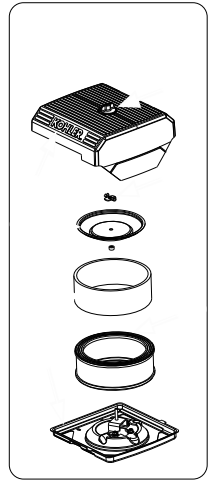
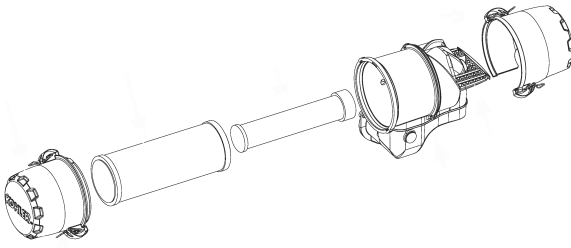


KOHLER® Command PRO



Safety Precautions





A
E
I
M
Q
U
Y

B
F
O
S
U
D
Q
N

C
G
K
L
O

D
H
U
V
W
X
P
&

R
T

Pre-Start Checklist

Starting



Cold Weather Starting Hints

Stopping

Angle of Operation

Engine Speed

Cold Weather Operation

High Altitude Operation

Maintenance Instructions



:HHNO\

(YHU\ +RXUV RU \$QQXDOO\

(YHU\ +RXUV RU \$QQXDOO\

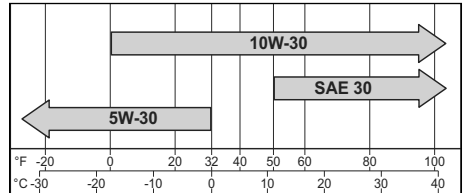
(YHU\ +RXUV

(YHU\ +RXUV

(YHU\ +RXUV

(YHU\ +RXUV

Oil Recommendations



Check Oil Level

Oil Sentry™ (if equipped)

Fuel Recommendations L Q W R



Change Oil and Filter

Spark Plugs



IVV 5HPRYH SOXJ DQG
Oil Cooler (if equipped)

Air Cleaner

Air Cooling



