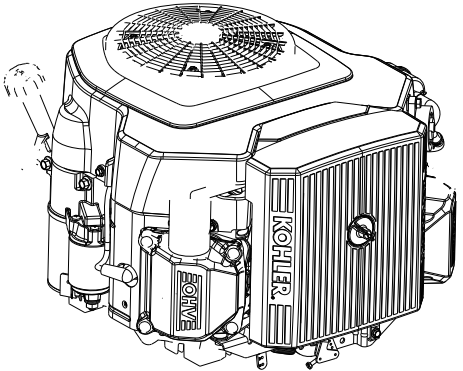
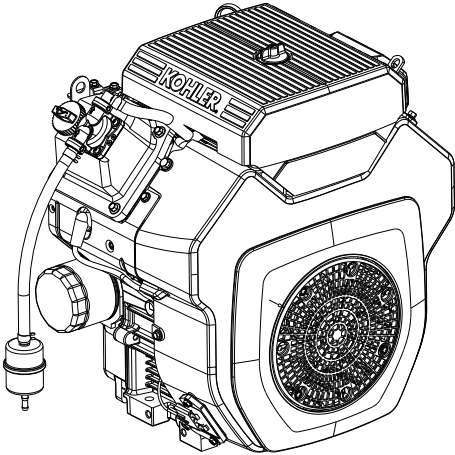
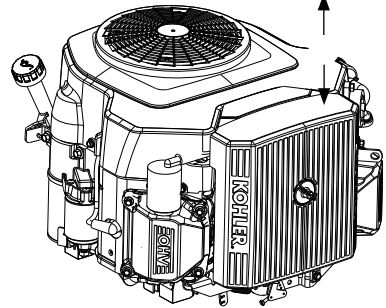
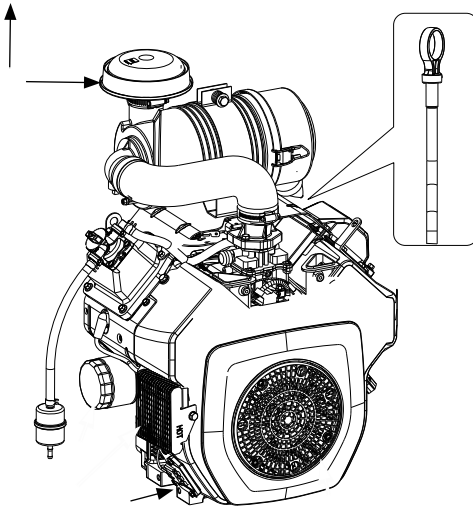
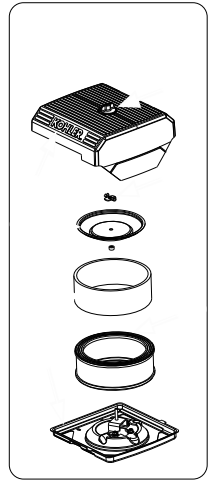
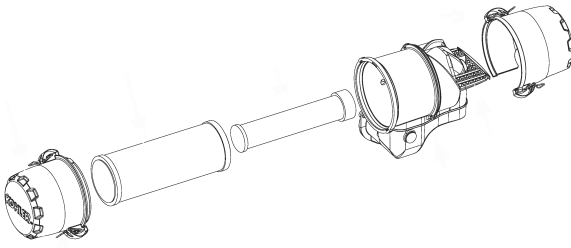


KOHLER® Command PRO



Safety Precautions





A
E
I
M
Q
U
Y

F B
O F U
V S L
D Q H
J N

D C
Q G C
S K
F L O H

D V D H
F U H H
W L
Q P &

H X H

Pre-Start Checklist

Starting



Cold Weather Starting Hints

Stopping

Angle of Operation

Engine Speed

Cold Weather Operation

High Altitude Operation

Maintenance Instructions



:HHNO\

(YHU\ +RXUV RU \$QQXDOO\

(YHU\ +RXUV RU \$QQXDOO\

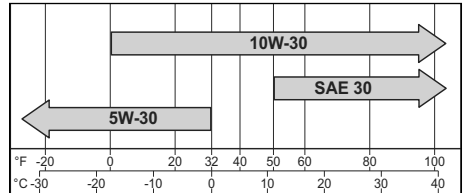
(YHU\ +RXUV

(YHU\ +RXUV

(YHU\ +RXUV

(YHU\ +RXUV

Oil Recommendations



Check Oil Level

Oil Sentry™ (if equipped)

DO NOT: OIL C/S W/EN

Fuel Recommendations L Q W R



Change Oil and Filter

Spark Plugs



IVV 5HPRYH SOXJ DQG
Oil Cooler (if equipped)

Air Cleaner

Air Cooling



